

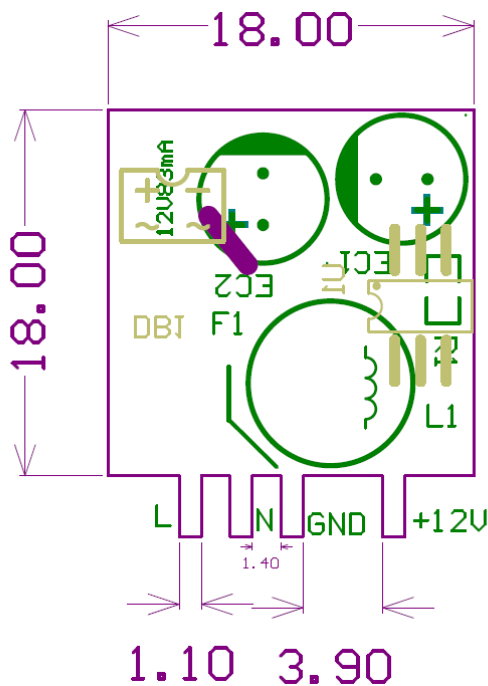
## MAIN FEATURES

- Single Output with PCB Mount
- Output Range: 3.3VDC – 24VDC
- Input range 90 – 264 V AC, 47-63 Hz  
Or 70VDC – 374VDC
- Operating temperature -40°C to 70°C
- 3-year product warranty



List of Models						
Ordering P/N	Output voltage (DC Volts)	Output current (DC mA)	Output Power (W)	Output accuracy	Efficiency >(%)	Ta (°C)
HO01S03	3.3	300	1W	+/- 5%	54	+70
HO01S05	5	200			66	
HO01S09	9	111			67	
HO01S12	12	83			70	
HO01S15	15	67			69	
HO01S24	24	42			68	

## Dimensions and footprint (mm)



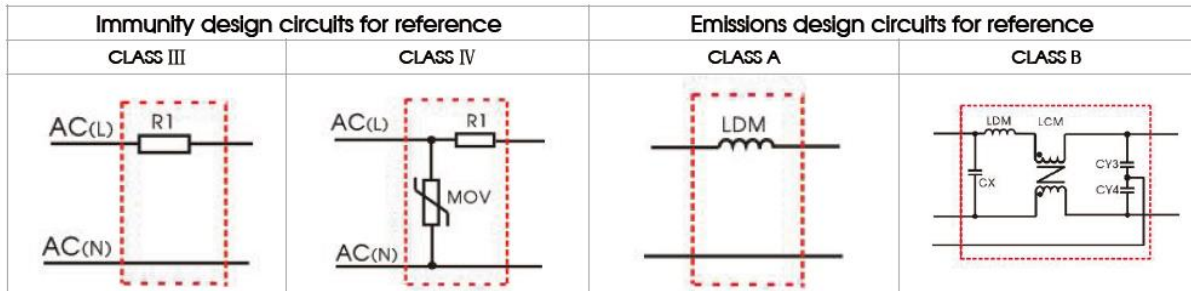
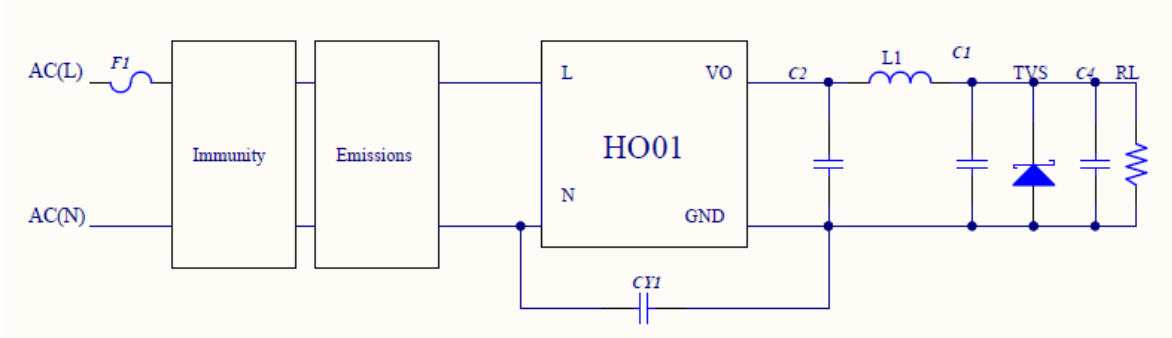
**PRODUCT HEIGHT: Max. 18mm**  
**PIN DIMENSION: 1.1mmx1.0mm**

Input Specifications	
Input Voltage	85 – 264 Vac (Universal input)
	70 – 374 VDC
Input Frequency	47 – 63 Hz
Input Current	0.12A Max@115Vac, 0.06A Max@264Vac
Inrush Current	9A @115Vac, 15A @264Vac

Output Specifications	
Output Accuracy	See table of [List of Models]
Line Regulation	+/- 3%
Load Regulation	+/- 5%
Ripple & Noise	Max 120mV P-P
Overload Protection	150% type. of output max.
Short Circuit Protection	Short is removed, automatic recovery
Stand-by	3.3V/5V/9V/12V/15V      0.25W Max. (Typ. 0.15W)
Power Consumption	24V                              0.30W Max. (Typ. 0.20W)

General Specifications	
MTBF	550K Hours @230VAC input, 25°C Calculated by MIL-HDBK-217-F2
Temperature Ranges	-40°C to 70°C @ Operating Temperature -40°C to 105°C @ Storage Temperature
Operation Humidity	10 to 85% RH (No Condensing) @full load
Pin Material	Copper with Nickel and Tin plating.
Environmental Compliance	Reach and RoHS
Net Weight	5 Grams

## Additional Circuits Design Reference



P/N	FUSE (required)	C2 (required)	L1 (required)	C1 (required)	C4	CY1 (required)	TVS
HO01S03	1A/300V	270uF/16V	2.2uH (Max 60mΩ)	68uF/ 35V	0.1uF/ 50V	1.0nF/ 400VAC	SMBJ7.0A
HO01S05							SMBJ7.0A
HO01S09		100uF/16V					SMBJ12A
HO01S12							SMBJ20A
HO01S15		100uF/35V					SMBJ20A
HO01S24							SMBJ30A

## Environmental Application EMC Solution

Application environmental	Typical Industry	Input voltage	Environment temperature	Emissions	Immunity
Basic	None	85 – 264VAC	-40°C to 70°C	CLASS A	CLASS III
Indoor civil	Smart home Home appliances		-25°C to 55°C	CLASS B	CLASS III
Indoor general	Intelligent building Intelligent agriculture		CLASS B	CLASS III	
Indoor Industrial	Workshop		CLASS B	CLASS IV	
Outdoor general	ITS/Video/Charging Security and protection		-40°C to 70°C	CLASS A	CLASS IV